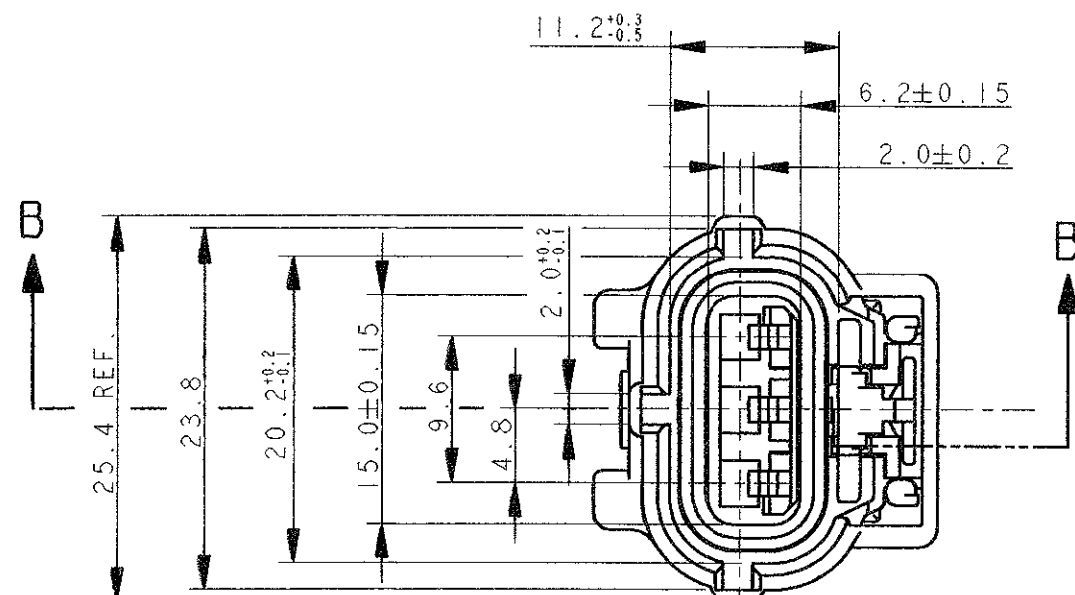
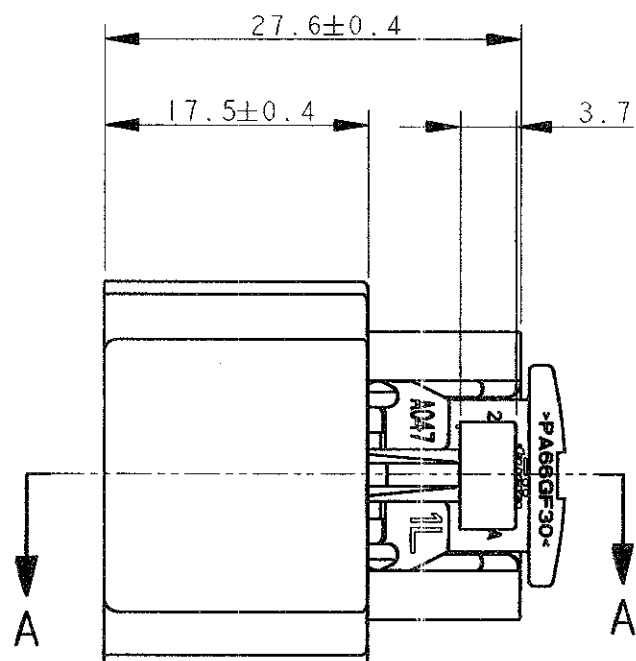
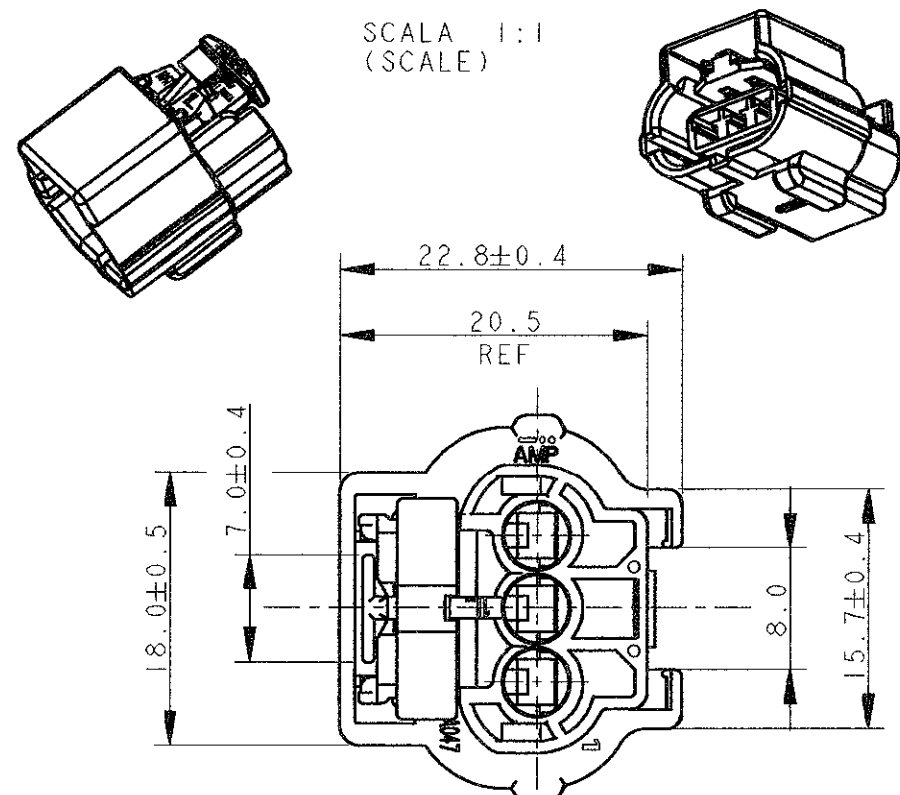
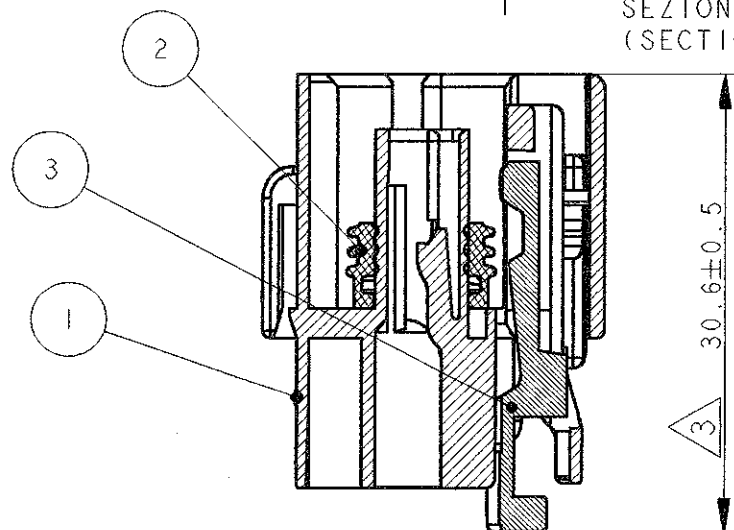


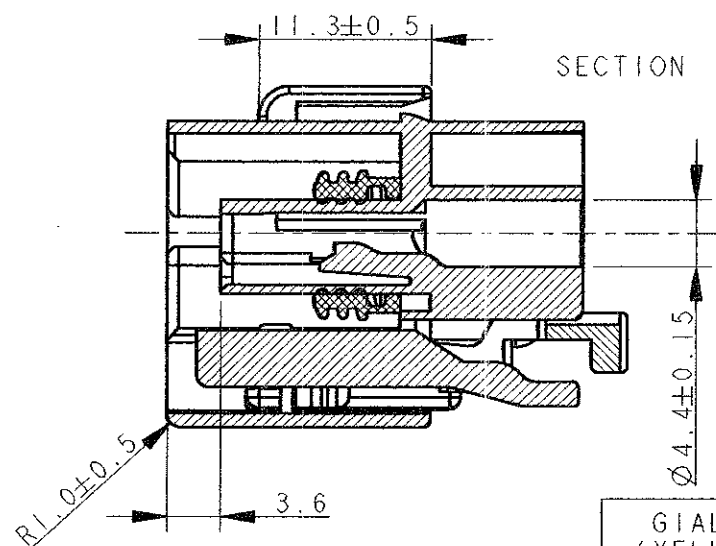
LOC	DIST	REVISIONS				
P	LTR	DESCRIPTION	DATE	DWN	APVD	
AI	-	CI	REVISED FOR ET00-0015-02	07 FEB 02	M.P. R.M.	



SEZIONE B-B (SECTION)

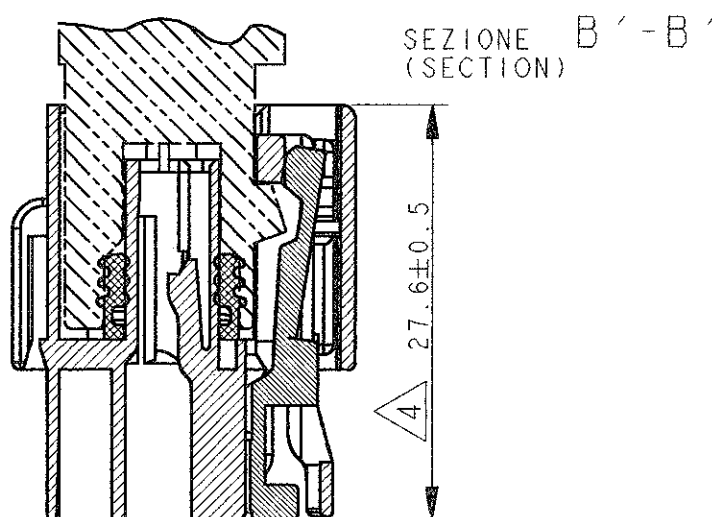


SECTION A-A

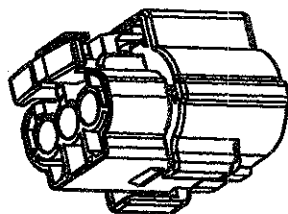


- 1) QUESTO PARTICOLARE VA USATO CON IL DISPOSITIVO DI AGGANCIAMENTO SECONDARIO TYCO P/N 282706-1 (THIS PART MUST BE USED WITH DOUBLE LOCK PLATE TYCO P/N 282706-1)
- 2) PER IL DISEGNO DELLA CONTROPARTE VEDI FOGLIO 2 DI 2 (FOR COUNTERPART DETAIL SEE SHEET 2 OF 2)
- 3 C.P.A. IN POSIZIONE PRE-ASSEMBLATA (C.P.A. PRE-ASSEMBLED POSITION)
- 4 C.P.A. IN POSIZIONE CHIUSA, QUANDO IL CONNETTORE E' CORRETTAMENTE ACCOPPIATO CON LA CONTROPARTE (C.P.A. IN CLOSED POSITION, WHEN THE CONNECTOR IS PROPERLY MATED WITH THE COUNTERPART)

COLORE (COLOUR)	MATERIALE (MATERIAL)	DESCRIZIONE (DESCRIPTION)	COMPONENTE No (ITEM No)	NUMERO (PART NUMBER)
GIALLO (YELLOW)	PA 6.6 CAR. VETRO (PA 6.6 GF)	C.P.A.	3	282703-1
GIALLO (YELLOW)	GOMMA SILICONICA (SILICONE RUBBER)	GUARNIZIONE (SEAL RING)	2	
NERO (BLACK)	PBT NATURALE (PBT UNFILLED)	BLOCCHETTO (HOUSING)	1	



SEZIONE B'-B' (SECTION)



SCALA 1:1 (SCALE)

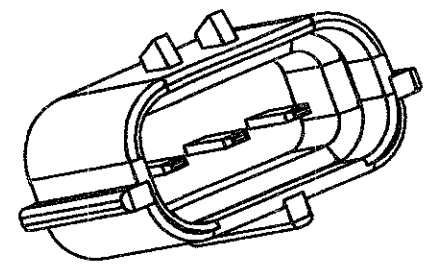
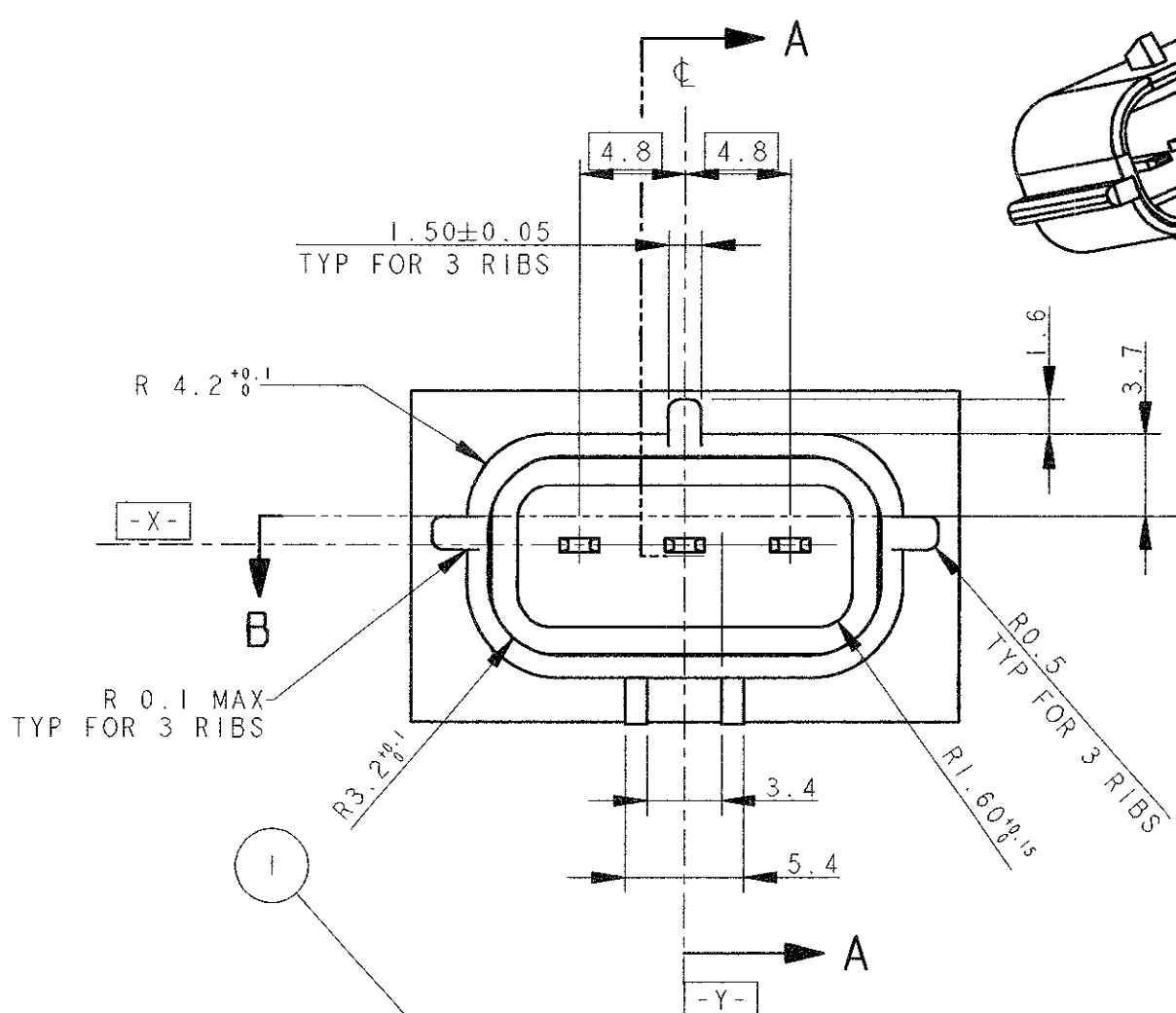
THIS DRAWING IS A CONTROLLED DOCUMENT FOR TYCO ELECTRONICS CORPORATION. IT IS SUBJECT TO CHANGE AND THE CONTROLLING ENGINEERING ORGANIZATION SHOULD BE CONTACTED FOR THE LATEST REVISION.

DIMENSIONS: mm	TOLERANCES UNLESS OTHERWISE SPECIFIED: 0 PLC ±0.3 1 PLC ±0.3 2 PLC ±0.3 3 PLC ± 4 PLC ± ANGLES ±2°	MATERIAL VEDERE TABELLA (SEE TABLE)	FINISH ---	DWN A. BAJ 12SEP1995 CHK C. TARTARI 12SEP1995 APVD - PRODUCT SPEC - APPLICATION SPEC - WEIGHT -	NAME 3 POS. ECONOSEAL J-MK11+ CONN. PLUG ASS'Y	tyco Electronics AMP Italia S.p.A. C.so F.lli Cervi, 15 - Collegno (TO)	SIZE A3 CAGE CODE 00779 DRAWING NO C=282703	RESTRICTED TO -
----------------	--	-------------------------------------	------------	--	--	--	---	-----------------

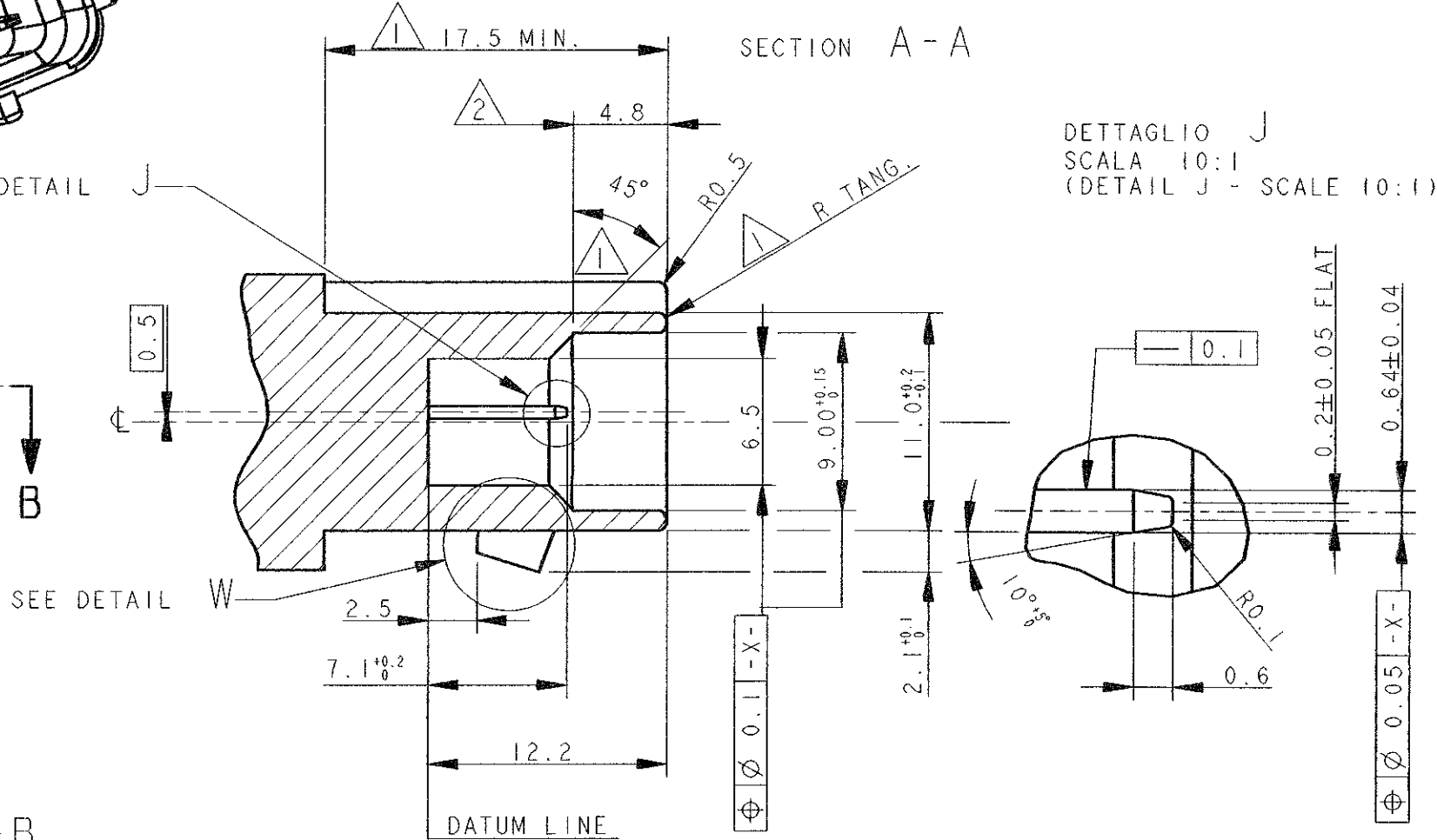
CUSTOMER DRAWING

SCALE 2:1 SHEET 1 OF 2 REV CI

LOC	DIST	REVISIONS			
P	LTR	DESCRIPTION	DATE	DWN	APVD
A1	-	SEE SHEET 1 OF 2			

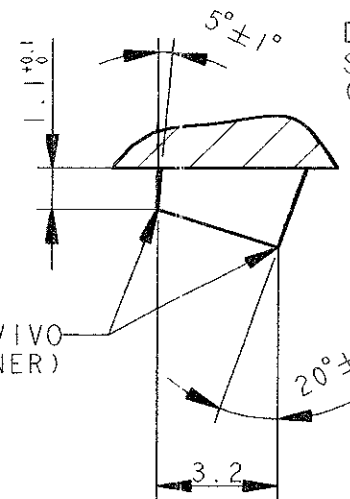
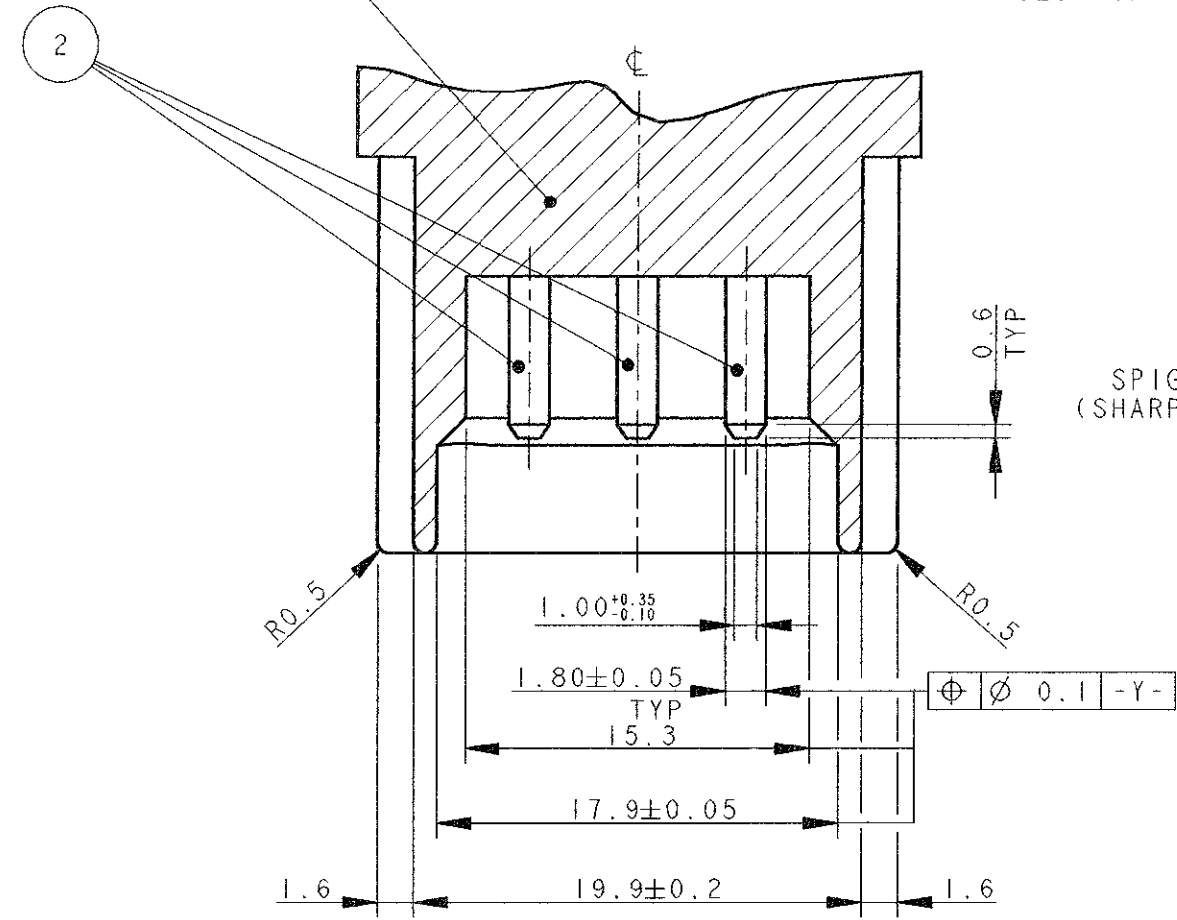


SEE DETAIL J



DETTAGLIO J
 SCALA 10:1
 (DETAIL J - SCALE 10:1)

SECTION B-B



DETTAGLIO W
 SCALA 5:1
 (DETAIL W - SCALE 5:1)

- 1 QUOTE VALIDE SU TUTTO IL CONTORNO (THESE DIMENSIONS ARE VALID ALL AROUND)
- 2 TRATTO PRIVO DI BAVE E SEGNI DI GIUNZIONE SU TUTTO IL CONTORNO (ZONE WITH NO FLASH AND WELDING LINES ALL AROUND)

DETTAGLI CONTROPARTE HEADER (TAB HEADER COUNTERPART DETAILS)

FINITURA (FINISH)	MATERIALE (MATERIAL)	DESCRIZIONE (DESCRIPTION)	ITEM No.
STAGNATO 2-4 micron (TINNED 2-4 micron)	OTTONE - HALF HARD (BRASS - HALF HARD)	CONTATTO (TAB)	2
---	PA 6.6 UNFILLED OR 15% G.F.	BLOCCHETTO (HOUSING)	1

THIS DRAWING IS A CONTROLLED DOCUMENT FOR TYCO ELECTRONICS CORPORATION. IT IS SUBJECT TO CHANGE AND THE CONTROLLING ENGINEERING ORGANIZATION SHOULD BE CONTACTED FOR THE LATEST REVISION.		DWN A. BAJ 12SEP1995	tyco Electronics AMP Italia S.p.A. C.so F.lli Cervi, 15 - Collegno (TO)	
DIMENSIONS: mm		CHK C. TARTARI 12SEP1995	NAME 3 POS. ECONOSEAL J-MK11+ CONN. PLUG ASS'Y	
TOLERANCES UNLESS OTHERWISE SPECIFIED:		APVD -	PRODUCT SPEC -	RESTRICTED TO -
0 PLC ±0.3		APPLICATION SPEC -		SIZE A3
1 PLC ±0.1		WEIGHT -		CAGE CODE 00779
2 PLC ±0.05		DRAWING NO C-282703		SCALE 2:1
3 PLC ±		CUSTOMER DRAWING		SHEET 2 OF 2
4 PLC ±		SCALE 2:1		REV C1
ANGLES ±2°		SCALE 2:1		
FINISH VEDERE TABELLA (SEE TABLE)		SCALE 2:1		
FINISH VEDERE TABELLA (SEE TABLE)		SCALE 2:1		